



配电变压器

Distribution Transformer

QRE 杭州钱江电气集团股份有限公司
Hangzhou Qiantang River Electric Group Co.,Ltd.

地址：中国杭州市萧山钱江电气科技工业园	Add:Qian Tang River Electric Science & Technology Industrial Zone, XiaoShan District, Hangzhou, China
邮编：311243	Post code:311243
电话：0571-82583188 82582309	Tel:+86-571-82583188,82582309
传真：0571-82582108 82582877	Fax:+86-571-82582108,82582877
电子邮件：qre@qre.com.cn;intl@qre.com.cn	E-mail:qre@qre.com.cn;intl@qre.com.cn
网址：www.qre.com.cn	Web:www.qre.com.cn



钱 潮

目录

CONTENTS

产品概述 Product Overview	2
产品特点 Product Characteristic	
型号说明 Model Coding	3
外形图 Structure Chart	
技术参数 Technical Parameters	4
产品应用领域 Applications	7
服务承诺 Service Guarantee	8
订货需知 Order Instructions	9

配电变压器 Distribution Transformer

产品概述

输配电系统从遥远的发电厂将电能通过调节输送给用户，电能经高压输电线的传输，然后在几级变电站降压后，才能适合用户使用。位于最终电力用户附近的配电变压器最终将电压降到合适值。将电压降低到电气设备工作电压的变压器称为配电变压器，该类变压器作为日常照明和工厂动力用，一般低压为0.4kV及以下。配电变压器容量较小，一般在2500 kVA及以下；一次电压也较低，都在35 kV及以下。不同于普通油浸式变压器，全密封配电变压器取消了储油柜，由波纹油箱本体的翅板作为散热胀缩元件，使变压器油与大气完全隔离。我公司可根据用户需要生产一次额定电压为6, 6.3, 6.6, 10, 10.5, 11, 15, 18, 20, 24, 33, 35, 38.5kV等各种电压的配电变压器。

产品特点

- 1.采用CAD设计，性能符合IEC60076、GB1094、GB/T6451标准。
- 2.铁心采用冷轧晶粒取向硅钢片，由德国GEORG公司铁心自动生产线应用阶梯接缝工艺制造。
- 3.油箱为波纹油箱，由德国GEORG公司油箱自动生产线加工制造，表面前处理液和涂装粉末均采用国际品牌产品，油箱经自动生产流水线脱脂、酸洗、磷化、电泳前处理后喷粉，再高温固化，变压器外表抗腐蚀能力强。
- 4.线圈采用高强度漆包线(或纸包线)卷绕，安匝分布均匀，绝缘结构合理，具有很强的抗短路能力。
- 5.器身采用免吊芯结构，密封件采用优质丙烯酸酯橡胶，能有效防止光老化、热老化。

Product Overview

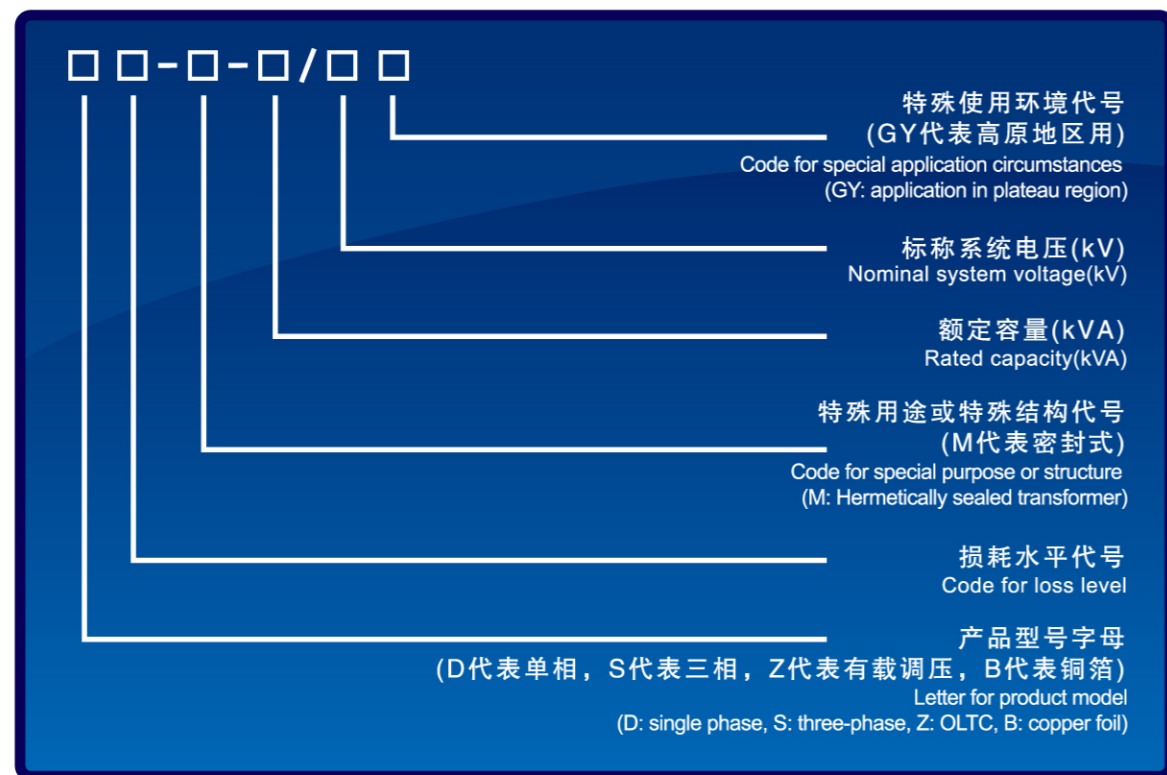
Transmission and distribution system transmit electricity power to the end user by adjusting from far away power plants. Through high-voltage power transmission line, and then by few step-down transformer, the power is suitable for user's application. Distribution transformers located in the vicinity of the end user will eventually reduce the voltage to a suitable rating. Distribution transformers are referred to those can reduce the voltage to the electrical equipment's working voltage. Such transformers are used for daily lighting and industrial power. Generally, the low voltage is 0.4kV or below. The capacity of distribution transformer is small, generally 2500 kVA or below. And the primary voltage is 35 kV or below. Hermetically sealed transformer is different from ordinary oil-immersed transformers due to no conservator installed. The corrugated fins on the tank act as radiator, which isolate the transformer oil from atmosphere. We can fabricate distribution transformer with HV rated voltage 6, 6.3, 6.6, 10, 10.5, 11, 15, 18, 20, 24, 33, 35, 38.5kV as per client's requirement.

Product Characteristic

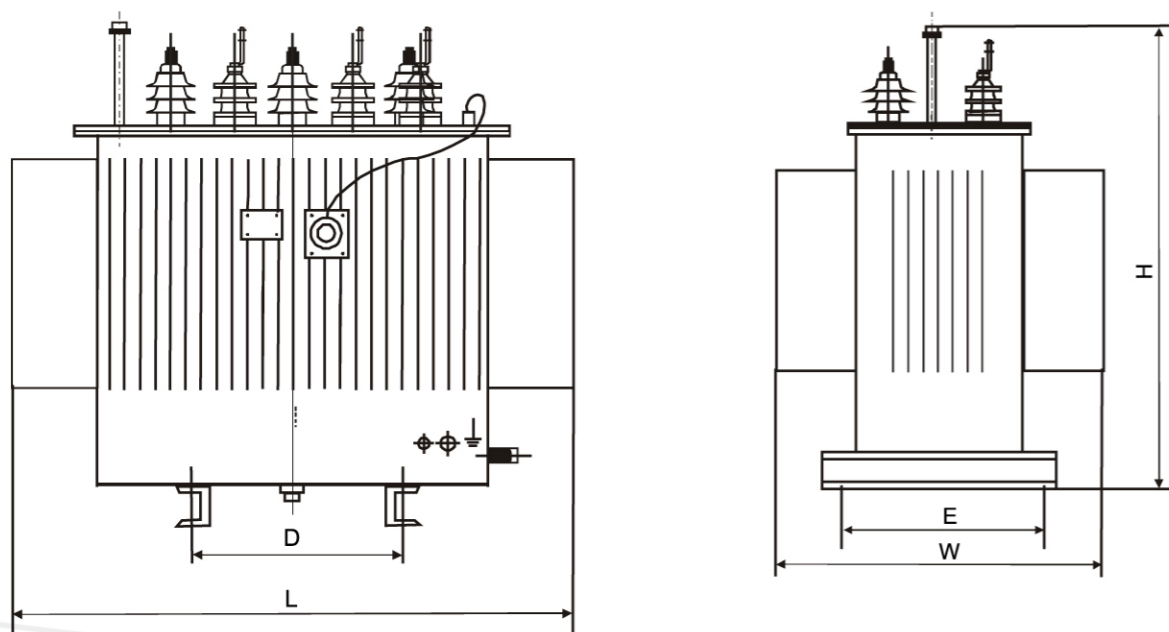
- 1.Distribution transformer is optimally designed by means of CAD. Its performance complies with IEC60076 and Chinese National Standards GB1094 and GB/T6451.
- 2.The core is made of high quality cold-rolled grain-oriented silicon-steel sheet. The lamination sheets are produced by automatic step-lap core lamination line from GEORG, Germany.
- 3.The oil tank is corrugated type and fabricated with automatic tank production line from GEORG, Germany. Pre-treatment liquid and coating powder on the surface made by international top brand supplier. The tank is degreasing, pickling, phosphating, electrophoresis by automatic production line, then power spray coating and heat-solidify. The surface of transformer is corrosion resistance.
- 4.The winding of Distribution transformer is made of high strength varnished wire or paper-insulated wire, which offers uniform distribution of ampere-turns, reasonable insulation structure so as to offer high ability to short-circuit withstanding capacity of winding.
- 5.The active part applies core free-hanging structure. The gasket is made of high quality acrylate rubber which can inhibit ageing caused by sun and heat.



型号说明 Model Coding



外形图 Structural Chart



技术参数 Technical Parameters

以下数据仅供参考, 公司保留数据变动的权利
Technical data are subjected to change without prior notice
三相无励磁调压配电变压器
Three-phase distribution transformer with OCTC

型号 Model	空载损耗(kW) No load loss	负载损耗(kW) Load loss	空载电流(%) No load current	短路阻抗(%) Short-circuit impedance	重量(kg) Weight		外形尺寸(mm) Dimensions	
					油重 Oil weight	总重 Total weight	长 × 宽 × 高 L × W × H	轨距 Rail distance
S9-M-10/10	0.07	0.27	2.6	4.0	50	195	740 × 450 × 785	400 × 400
S9-M-20/10	0.10	0.43	2.3		60	250	740 × 535 × 810	400 × 400
S9-M-30/10	0.13	0.63/0.60	2.3		65	285	760 × 555 × 830	400 × 400
S9-M-50/10	0.17	0.91/0.87	2.0		75	345	755 × 595 × 855	400 × 400
S9-M-63/10	0.20	1.09/1.04	1.9		90	415	805 × 640 × 900	400 × 400
S9-M-80/10	0.25	1.31/1.25	1.9		85	445	785 × 634 × 900	400 × 550
S9-M-100/10	0.29	1.58/1.50	1.8		95	505	800 × 645 × 915	400 × 550
S9-M-125/10	0.34	1.89/1.80	1.7		110	580	830 × 740 × 950	550 × 550
S9-M-160/10	0.40	2.31/2.20	1.6		115	650	860 × 765 × 1000	550 × 550
S9-M-200/10	0.48	2.73/2.60	1.5		130	755	1105 × 720 × 1030	550 × 550
S9-M-250/10	0.56	3.20/3.05	1.4		150	910	1210 × 775 × 1105	550 × 550
S9-M-315/10	0.67	3.83/3.65	1.4		185	1035	1255 × 795 × 1125	550 × 550
S9-M-400/10	0.80	4.52/4.30	1.3		210	1125	1405 × 930 × 1195	550 × 550
S9-M-500/10	0.96	5.41/5.15	1.2		255	1420	1465 × 960 × 1200	660 × 660
S9-M-630/10	1.20	6.20	1.1	4.5	285	1670	1500 × 930 × 1370	660 × 660
S9-M-800/10	1.40	7.50	1.0		340	2065	1630 × 1075 × 1350	660 × 660
S9-M-1000/10	1.70	10.3	1.0		365	2265	1710 × 1155 × 1465	820 × 820
S9-M-1250/10	1.95	12.0	0.9		515	3055	1805 × 1055 × 1615	820 × 820
S9-M-1600/10	2.40	14.50	0.8		555	3375	1840 × 1230 × 1685	820 × 820
S9-M-2000/10	2.68	18.90	0.5	5.5	715	4300	1925 × 1255 × 1885	820 × 820
S9-M-2500/10	3.20	22.50	0.4		990	5370	2125 × 2370 × 2410	1070 × 1070
S10-M-10/10	0.06	0.27	2.6	4.0	50	195	740 × 450 × 785	400 × 400
S10-M-20/10	0.085	0.43	2.3		60	250	740 × 535 × 810	400 × 400
S10-M-30/10	0.11	0.63/0.60	2.3		65	285	760 × 555 × 830	400 × 400
S10-M-50/10	0.15	0.91/0.87	2.0		75	345	755 × 595 × 855	400 × 400
S10-M-63/10	0.18	1.09/1.04	1.9		90	415	805 × 640 × 900	400 × 400
S10-M-80/10	0.20	1.31/1.25	1.9		85	445	785 × 634 × 900	400 × 550
S10-M-100/10	0.23	1.58/1.50	1.8		95	505	800 × 645 × 915	400 × 550
S10-M-125/10	0.27	1.89/1.80	1.7		110	580	830 × 740 × 950	550 × 550
S10-M-160/10	0.31	2.31/2.20	1.6		115	650	860 × 765 × 1000	550 × 550
S10-M-200/10	0.38	2.73/2.60	1.5		130	755	1105 × 720 × 1030	550 × 550
S10-M-250/10	0.46	3.20/3.05	1.4		150	910	1210 × 775 × 1105	550 × 550
S10-M-315/10	0.54	3.83/3.65	1.4		185	1035	1255 × 795 × 1125	550 × 550
S10-M-400/10	0.65	4.52/4.30	1.3		210	1125	1405 × 930 × 1195	550 × 550
S10-M-500/10	0.78	5.41/5.15	1.2		255	1420	1465 × 960 × 1200	660 × 660

型号 Model	空载损耗(kW) No load loss	负载损耗(kW) Load loss	空载电流(%) No load current	短路阻抗(%) Short-circuit impedance	重量(kg) Weight		外形尺寸(mm) Dimensions	
					油重 Oil weight	总重 Total weight	长 × 宽 × 高 L × W × H	轨距 Rail distance
					S10-M-630/10	0.92	6.20	1.1
S10-M-800/10	1.12	7.50	1.0	340	2065	1630×1075×1350	660×660	
S10-M-1000/10	1.32	10.30	1.0	365	2265	1710×1155×1465	820×820	
S10-M-1250/10	1.56	12.00	0.9	515	3055	1805×1055×1615	820×820	
S10-M-1600/10	1.88	14.50	0.8	555	3375	1840×1230×1685	820×820	
S10-M-2000/10	2.35	18.90	0.5	5.5	715	4300	1925×1255×1885	820×820
S10-M-2500/10	2.80	22.50	0.4		990	5370	2125×2370×2410	1070×1070
S11-M-30/10	0.10	0.63/0.60	2.3	4.0	70	330	760×555×930	400×400
S11-M-50/10	0.13	0.91/0.87	2.0		70	365	755×565×880	400×400
S11-M-63/10	0.15	1.09/1.04	1.9		90	435	805×640×930	400×400
S11-M-80/10	0.18	1.31/1.25	1.9		85	470	785×635×930	400×550
S11-M-100/10	0.20	1.58/1.50	1.8		90	560	800×645×955	400×550
S11-M-125/10	0.24	1.89/1.80	1.7		105	605	855×745×980	550×550
S11-M-160/10	0.27	2.31/2.20	1.6		115	695	860×765×1025	550×550
S11-M-200/10	0.33	2.73/2.60	1.5		130	800	1105×720×1070	550×550
S11-M-250/10	0.40	3.20/3.05	1.4		160	945	1235×800×1150	550×550
S11-M-315/10	0.48	3.83/3.65	1.4		200	1090	1330×895×1170	550×550
S11-M-400/10	0.57	4.52/4.30	1.3		225	1300	1380×875×1240	550×550
S11-M-500/10	0.68	5.41/5.15	1.2		255	1545	1415×890×1320	660×660
S11-M-630/10	0.81	6.20	1.1		310	1820	1500×930×1370	660×660
S11-M-800/10	0.98	7.50	1.0		360	2200	1600×1005×1430	660×660
S11-M-1000/10	1.15	10.30	1.0	4.5	395	2475	1665×1080×1520	820×820
S11-M-1250/10	1.36	12.00	0.9		470	2990	1745×1150×1625	820×820
S11-M-1600/10	1.64	14.50	0.8		555	3375	1840×1230×1685	820×820
S11-M-2000/10	2.15	18.90	0.5		715	4300	1925×1255×1885	820×820
S11-M-2500/10	2.55	22.50	0.4	5.5	990	5370	2125×2370×2410	1070×1070

型号 Model	空载损耗(kW) No load loss	负载损耗(kW) Load loss	空载电流(%) No load current	短路阻抗(%) Short-circuit impedance	重量(kg) Weight		外形尺寸(mm) Dimensions		
					油重 Oil weight	总重 Total weight	长 × 宽 × 高 L × W × H	轨距 Rail distance	
					S14-M-50/10	0.10	0.74	0.30	4
S14-M-80/10	0.13	1.06	0.25	90	550	960×610×990	400×400		
S14-M-100/10	0.15	1.27	0.25	100	660	1000×680×990	400×400		
S14-M-125/10	0.17	1.53	0.25	115	710	1050×730×1040	550×550		
S14-M-160/10	0.20	1.87	0.25	130	930	1085×780×1085	550×550		
S14-M-200/10	0.24	2.21	0.25	140	980	1105×780×1105	550×550		
S14-M-250/10	0.29	2.60	0.25	175	1160	1235×800×1150	550×550		
S14-M-315/10	0.34	3.10	0.25	200	1310	1280×825×1240	550×550		
S14-M-400/10	0.41	3.65	0.20	225	1510	1330×825×1245	550×550		
S14-M-500/10	0.48	4.37	0.20	250	1785	1365×850×1325	660×660		
S14-M-630/10	0.57	5.27	0.20	4.5	290	2050	1485×1050×1380	660×660	

三相有载调压配电变压器
Three-phase distribution transformer with OLTC

型号 Model	空载损耗(kW) No load loss	负载损耗(kW) Load loss	空载电流(%) No load current	短路阻抗(%) Short-circuit impedance	重量(kg) Weight		外形尺寸(mm) Dimensions	
					油重 Oil weight	总重 Total weight	长 × 宽 × 高 L × W × H	轨距 Rail distance
					SZ11-250/10	0.44	3.42	1.0
SZ11-315/10	0.53	4.10	1.0	335	1430	1570×800×1465	550×550	
SZ11-400/10	0.64	4.95	1.0	370	1680	1735×1020×1490	550×550	
SZ11-500/10	0.76	5.89	0.9	445	1920	1725×925×1610	660×660	
SZ11-630/10	0.96	7.26	0.9	520	2220	1850×1075×1640	660×660	
SZ11-800/10	1.12	8.89	0.8	560	2770	2295×1080×2250	660×660	
SZ11-1000/10	1.36	10.43	0.7	4.5	570	2930	2230×1140×2125	820×820
SZ11-1250/10	1.56	12.40	0.7		795	3560	2515×1155×2150	820×820
SZ11-1600/10	1.92	14.80	0.6		970	3940	2565×1225×2150	820×820
SZ11-2000/10	2.15	18.90	0.6	5.5	1080	4950	2670×1255×2310	820×820
SZ11-2500/10	2.70	23.60	0.5		1110	5610	2115×2380×2335	1070×1070

产品应用领域

该产品具有功能齐全、安全性好、维护简单、占地面积小成套性强，投资少，安装快捷，施工方便，造型美观等特点。广泛地应用于建筑工地、车站、码头、矿山油田等企事业单位及其它临时供电的场所。



Applications

This product has advantages of multi-function, reliable operation, easy for maintenance, highly integrated, fast installation, elegant features. It's very popular in construction site, stations, docks, mining & oil industries, and other sites requiring temporary power supply.



服务承诺

- 1.及时向顾客提供按合同规定的全部技术资料 and 图纸。有义务在必要时邀请顾客参与供方的技术设计审查。
- 2.按顾客要求的时间到现场进行技术服务，指导顾客按供方的技术资料 and 图纸要求进行安装、调试与整套试运及试生产。
- 3.对于顾客选购的与合同设备有关的配套设备，我方主动提供满足设备接口要求的技术条件和资料。
- 4.严格执行供需双方就有关问题召开会议的纪要或签订的协议。
- 5.按合同规定为顾客举办有关设备安装、调试、使用、维护技术的业务培训班。
- 6.加强售前、售中、售后服务，把“24小时服务”、“超前服务”、“全过程服务”、“终身服务”贯彻在产品制造、安装、调试、修理的全过程。
- 7.随时满足顾客对备品备件的要求。

Service Guarantee

- 1.To provide all technical information and drawings as per contract promptly. QRE is obliged to invite client, if necessary, to attend technical design review.
- 2.To carry out spot technical service as per client's schedule, offer guideness for installation and commissioning according to technical information and drawings.
- 3.For relevant auxiliary equipment procured by customers, QRE will provide related technical information to meet requirement of equipment interface.
- 4.To execute stipulations in MOU or agreement signed by seller and buyer strictly.
- 5.To train staff from client for equipment installation, commissioning, application, maintenance as stipulated in the contract.
- 6.To reinforce pre-sales, mid-sales, after-sales service, to carry out "24-hour service", "service in advance", "overall process service", "lifelong service" in our manufacturing, installation, commissioning and maintenance.
- 7.To meet spare parts' requirement by customers at any time.

■ 尊敬的用户朋友,如果您有服务需求,可以发送Email给我们,或者直接电话与我们联系:
用户服务中心:0571-82583638, 0571-82583088, 0571-82583928
传 真: 0571-82583618, 0571-82582309

Dear clients, if there is any enquiry or requirement, please feel free to send email: intl@qre.com.cn
or make phone call directly to service center:
+86-571-82583638, 82583088, 82583928
Fax:+86-571-82583618, 82582309

订货需知

选用本公司产品时, 请提供以下数据, 以便更好地为阁下提供服务。

变压器型号: _____

额定容量: _____ kVA

相 数 : 三相
 单相

频 率 : 50HZ
 60HZ

额定电压 (高压/低压): _____

分 接 范 围 : \pm _____ x _____ %

绝 缘 水 平 : LI _____ AC _____ / LI _____ AC _____ kV

联结组标号: Dyn11
 Yyn0
 其他

短 路 阻 抗 : _____ %

冷 却 方 式 : ONAN
 ONAF

调 压 方 式 : 有载调压
 无励磁调压
 其他

对产品的其他要求: _____

注: 制造厂还可以根据用户提出的特殊要求进行设计制造;
以上数据仅供用户参考选用, 最终数据以订货后提供的
数据为准。

Order Instructions

When you choose our company product, please offer following data:

Transformer model: _____

Rated capacity: _____ kVA

Phase : Three-phase
 Single-phase

Frequency : 50HZ
 60HZ

Rated voltage (H.V. / L.V.): _____

Tapping range : \pm _____ x _____ %

Insulation level: LI _____ AC _____ / LI _____ AC _____ kV

Veotor group: Dyn11
 Yyn0
 other

Short-circuit Impedance: _____ %

Cooling method: ONAN
 ONAF

Tapping method: OLTC
 OCTC
 other

Other requirement : _____

1.We also can design special products according to
customer's particular requirements.

2.The final dimension is subject to outline drawing.