

# 非晶合金铁心 配电变压器

Amorphous Alloy Core Transformer

**QRE** 杭州钱江电气集团股份有限公司  
Hangzhou Qiantang River Electric Group Co.,Ltd.

地址：中国杭州市萧山钱江电气科技工业园 Add:Qian Tang River Electric Science & Technology Industrial Zone,  
XiaoShan District, Hangzhou, China  
邮编：311243 Post code:311243  
电话：0571-82583188 82582309 Tel:+86-571-82583188,82582309  
传真：0571-82582108 82582877 Fax:+86-571-82582108,82582877  
电子邮件：qre@qre.com.cn;intl@qre.com.cn E-mail:qre@qre.com.cn;intl@qre.com.cn  
网址：www.qre.com.cn Web:www.qre.com.cn



# 目录

## CONTENTS

产品概述 Product Overview	2
产品特点 Product Characteristic	
型号说明 Model Coding	3
外形图 Structure Chart	
主要技术参数 Technical Parameters	4
产品应用领域 Applications	5
服务承诺 Service Guarantee	6
订货需知 Order Instructions	7

## 非晶合金铁心配电变压器 Amorphous alloy core transformer

### 产品概述

非晶合金铁心变压器是用非晶合金制作铁心的变压器，它比普通硅钢片作铁心变压器的空载损耗下降约75%，空载电流下降约80%，是目前节能效果较理想的配电变压器，节能显著，尤其适用于农村电网和发展中地区等负载率较低场合。

### Product Overview

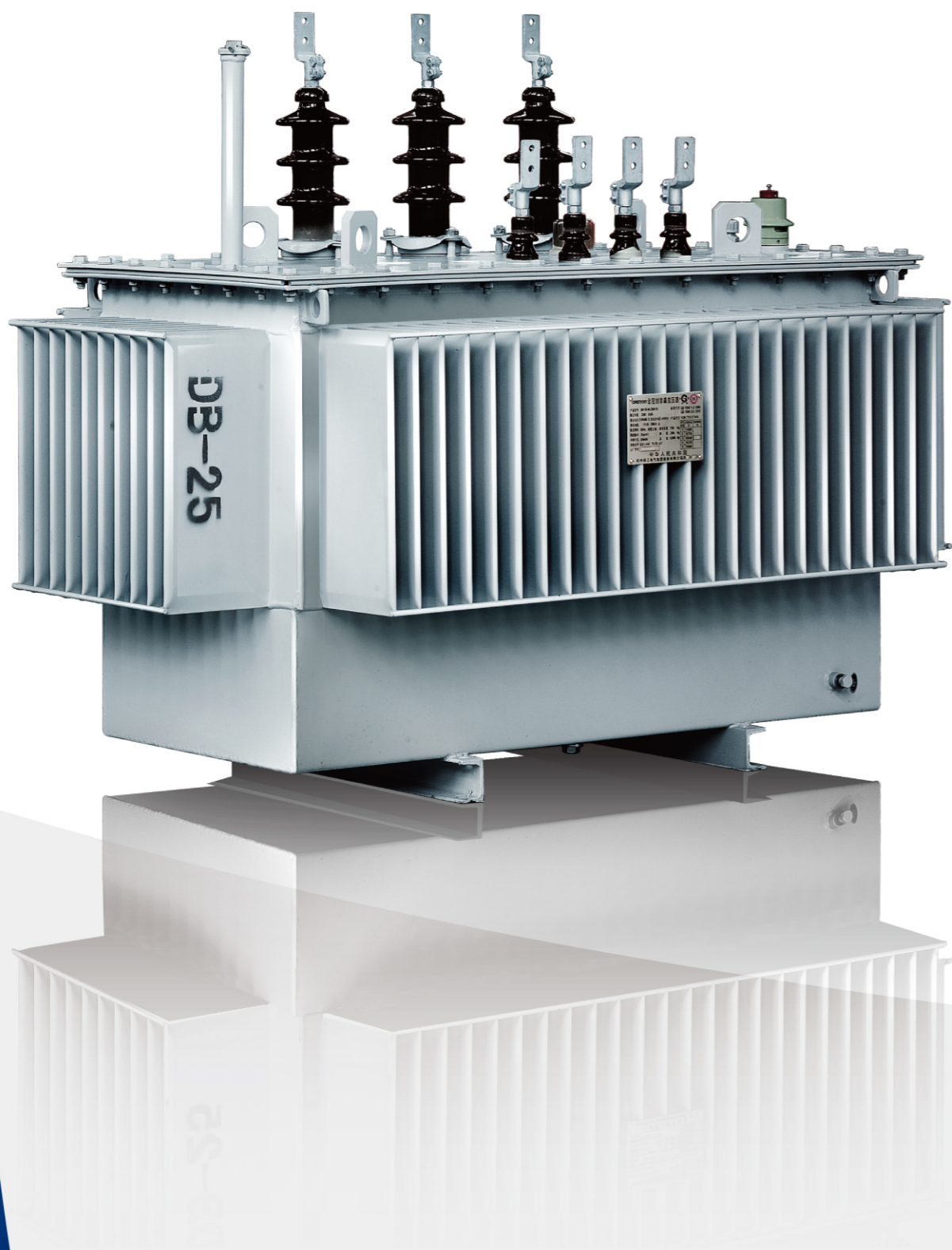
Amorphous alloy core transformer is made of amorphous alloy core. The no load loss is reduced by about 75% compared with conventional transformer made of silicon steel, while no-load current is decreased by about 80%. This type of transformer is the ideal energy-saving distribution transformer with significant effect. It is especially suitable for rural power grid and developing regions where the load rate is less.

### 产品特点

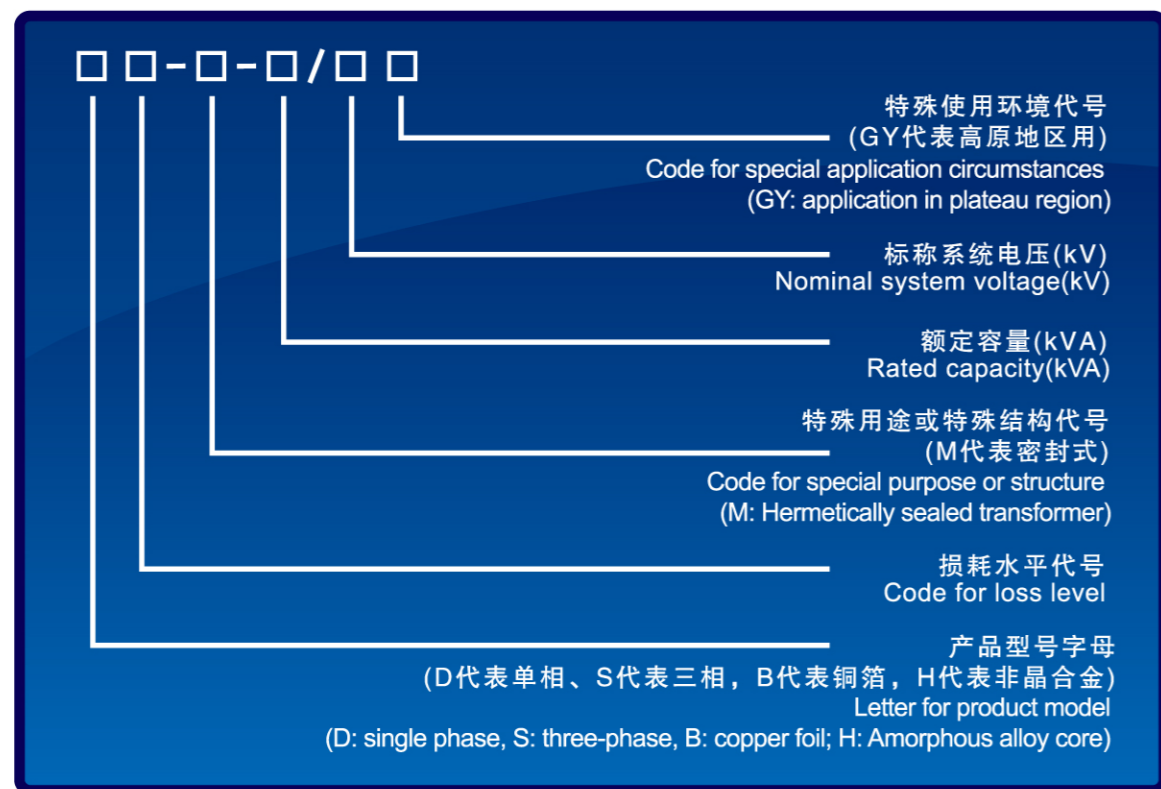
- 1.采用CAD设计，性能符合IEC60076、GB1094和JB/T10318标准。
- 2.铁心采用美国或日本技术生产的非晶合金带材制造。
- 3.油箱为波纹油箱，由德国GEORG公司油箱自动生产线加工制造，表面前处理液和涂装粉末均采用国际品牌产品，油箱经自动生产流水线脱脂、酸洗、磷化、电泳前处理后喷粉，再高温固化，变压器外表抗腐蚀能力强。
- 4.线圈采用高强度漆包线(或纸包线)卷绕，安匝分布均匀，绝缘结构合理，具有很强的抗短路能力。
- 5.器身采用免吊芯结构，密封件采用优质丙烯酸酯橡胶，能有效防止光老化、热老化。

### Product Characteristic

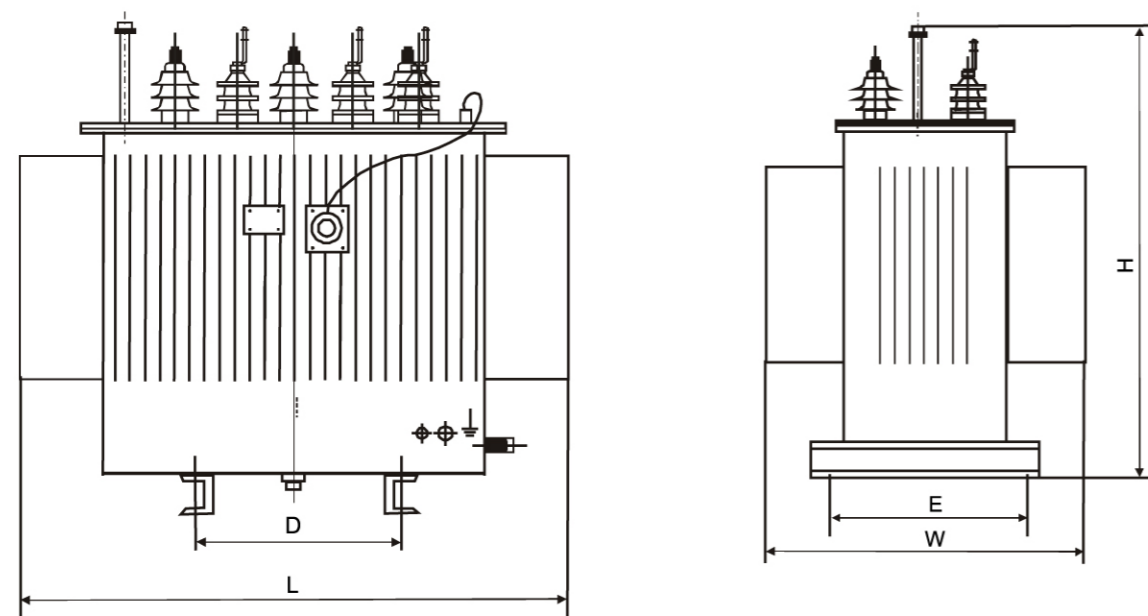
- 1.Amorphous alloy core transformer is optimally designed by means of CAD. Its performance complies with IEC60076 and Chinese National Standards GB1094 and JB/T10318.
- 2.The amorphous alloy core materials are imported from the USA and Japan.
- 3.The oil tank is corrugated type and fabricated with automatic tank production line from GEORG, Germany. Pre-treatment liquid and coating powder on the surface are made by international top brand suppliers. The tank is degreasing, pickling, phosphating, electrophoresis by automatic production line, then power spray coating and heat-solidify. The surface of transformer is corrosion resistance.
- 4.The winding is made of high strength varnished wire or paper-insulated wire, which offers uniform distribution of ampere-turns, reasonable insulation structure so as to offer high ability to short-circuit withstanding capacity of winding.
- 5.The active part applies core free-hanging structure. The gasket is made of high quality acrylate rubber which can inhibit ageing caused by sun and heat.



### 型号说明 Model Coding



### 外形图 Structure Chart



### 主要技术参数 Technical Parameters

以下数据仅供参考，公司保留数据变动的权利。  
Technical data are subjected to change without prior notice.

三相非晶合金铁心变压器  
Three-phase amorphous alloy core transformer

型号 Model	损耗(kW) Loss		空载电流(% No load current	短路阻抗(% Short-circuit impedance	外形尺寸(mm) Outer dimension				重量(kg) Weight	
	空载 No-load	负载 Load loss			长 L	宽 W	高 H	轨距 Rail distance	油重 Oil	总重 Total
SH15-M-30/10	0.033	0.60	1.7	4	875	684	802	550 × 550	105	380
SH15-M-50/10	0.043	0.87	1.3		925	684	827	550 × 550	110	465
SH15-M-63/10	0.050	1.04	1.2		975	684	847	550 × 550	120	510
SH15-M-80/10	0.060	1.25	1.1		975	684	882	550 × 550	125	565
SH15-M-100/10	0.075	1.50	1.0		1050	684	902	550 × 550	140	635
SH15-M-125/10	0.085	1.80	0.9		1110	684	932	550 × 550	155	730
SH15-M-160/10	0.100	2.20	0.7		1070	804	950	660 × 660	175	840
SH15-M-200/10	0.120	2.60	0.7		1165	809	965	660 × 660	200	965
SH15-M-250/10	0.140	3.05	0.7		1275	854	990	660 × 660	235	1140
SH15-M-315/10	0.170	3.65	0.5		1443	958	980	660 × 660	240	1270
SH15-M-400/10	0.200	4.30	0.5	1553	958	1010	660 × 660	280	1455	
SH15-M-500/10	0.240	5.15	0.5	1553	968	1070	660 × 660	300	1695	
SH15-M-630/10	0.320	6.20	0.3	4.5	1780	1132	1150	820 × 820	400	2210
SH15-M-800/10	0.380	7.50	0.3		1942	1162	1205	820 × 820	455	2525
SH15-M-1000/10	0.450	10.3	0.3		2300	1542	1245	820 × 820	520	2850

## 产品应用领域

该产品具有功能齐全、安全性好、维护简单、占地面积小成套性强，投资少，安装快捷，施工方便，造型美观等特点。广泛地应用于建筑工地、车站、码头、矿山油田等企事业单位及其它临时供电的场所。



## Applications

This product has advantages of multi-function, reliable operation, easy for maintenance, highly integrated, fast installation, elegant features. It's very popular in construction site, stations, docks, mining & oil industries, and other sites requiring temporary power supply.



## 服务承诺

- 1.及时向顾客提供按合同规定的全部技术资料 and 图纸。有义务在必要时邀请顾客参与供方的技术设计审查。
- 2.按顾客要求的时间到现场进行技术服务，指导顾客按供方的技术资料 and 图纸要求进行安装、调试与整套试运及试生产。
- 3.对于顾客选购的与合同设备有关的配套设备，我方主动提供满足设备接口要求的技术条件和资料。
- 4.严格执行供需双方就有关问题召开会议的纪要或签订的协议。
- 5.按合同规定为顾客举办有关设备安装、调试、使用、维护技术的业务培训班。
- 6.加强售前、售中、售后服务，把“24小时服务”、“超前服务”、“全过程服务”、“终身服务”贯彻在产品制造、安装、调试、修理的全过程。
- 7.随时满足顾客对备品备件的要求。

## Service Guarantee

- 1.To provide all technical information and drawings as per contract promptly. QRE is obliged to invite client, if necessary, to attend technical design review.
- 2.To carry out spot technical service as per client's schedule, offer guideness for installation and commissioning according to technical information and drawings.
- 3.For relevant auxiliary equipment procured by customers, QRE will provide related technical information to meet requirement of equipment interface.
- 4.To execute stipulations in MOU or agreement signed by seller and buyer strictly.
- 5.To train staff from client for equipment installation, commissioning, application, maintenance as stipulated in the contract.
- 6.To reinforce pre-sales, mid-sales, after-sales service, to carry out "24-hour service", "service in advance", "overall process service", "lifelong service" in our manufacturing, installation, commissioning and maintenance.
- 7.To meet spare parts' requirement by customers at any time.

■ 尊敬的用户朋友,如果您有服务需求,可以发送Email给我们,或者直接电话与我们联系:  
用户服务中心:0571-82583638, 0571-82583088, 0571-82583928  
传 真: 0571-82583618, 0571-82582309

Dear clients, if there is any enquiry or requirement, please feel free to send email: intl@qre.com.cn  
or make phone call directly to service center:  
+86-571-82583638, 82583088, 82583928  
Fax:+86-571-82583618, 82582309

## 订货需知

选用本公司产品时，请提供以下数据，以便更好地为阁下提供服务。

变压器型号: \_\_\_\_\_

额定容量: \_\_\_\_\_ kVA

相数:  三相  
 单相

频率:  50HZ  
 60HZ

额定电压 ( 高压/低压 ): \_\_\_\_\_

分接范围:  $\pm$  \_\_\_\_\_ x \_\_\_\_\_ %

绝缘水平: LI \_\_\_\_\_ AC \_\_\_\_\_ / LI \_\_\_\_\_ AC \_\_\_\_\_ kV

联结组标号:  Dyn11  
 Yyn0  
 其他

短路阻抗: \_\_\_\_\_ %

冷却方式:  ONAN  
 ONAF

调压方式:  有载调压  
 无励磁调压  
 其他

对产品的其他要求: \_\_\_\_\_

\_\_\_\_\_

\_\_\_\_\_

\_\_\_\_\_

## Order Instructions

When you choose our company product, please offer following data:

Transformer model: \_\_\_\_\_

Rated capacity: \_\_\_\_\_ kVA

Phase:  Three-phase  
 Single-phase

Frequency:  50HZ  
 60HZ

Rated voltage ( H.V. / L.V. ): \_\_\_\_\_

Tapping range:  $\pm$  \_\_\_\_\_ x \_\_\_\_\_ %

Insulation level: LI \_\_\_\_\_ AC \_\_\_\_\_ / LI \_\_\_\_\_ AC \_\_\_\_\_ kV

Veotor group:  Dyn11  
 Yyn0  
 other

Short-circuit Impedance: \_\_\_\_\_ %

Cooling method:  ONAN  
 ONAF

Tapping method:  OLTC  
 OCTC  
 other

Other requirement: \_\_\_\_\_

\_\_\_\_\_

\_\_\_\_\_

\_\_\_\_\_

注: 制造厂还可以根据用户提出的特殊要求进行设计制造; 以上数据仅供用户参考选用, 最终数据以订货后提供的数据为准。

1.We also can design special products according to customer's particular requirements.  
2.The final dimension is subject to outline drawing.